

2002-07 GENINFO

Starting - Overview - MINI

MINI STARTING SYSTEM

*** PLEASE READ THIS FIRST ***

For information on starter removal and installation, see the following articles.

- For Cooper, see **STARTER WITH MOUNTING** in ENGINE ELECTRICAL SYSTEM - REPAIR INSTRUCTIONS - COOPER (W10 ENGINE) article.
- For Cooper S, see **STARTER WITH MOUNTING** in ENGINE ELECTRICAL SYSTEM - REPAIR INSTRUCTIONS - COOPER S (W11 ENGINE) article.

MINI STARING SYSTEM

Purpose of the Starting System

The purpose of the starting system is to convert chemical energy stored in the battery into electrical energy, then into mechanical energy in the starter motor. This mechanical energy is then transferred through gears and drives from the starter motor to the engine flywheel.

After the transfer and conversion of all this energy the engine flywheel begins to rotate.

The rotation must be of sufficient speed to allow the engine to form the combustible air-fuel mixture required for starting. It must be maintained during initial combustion long enough until the engine can sustain operation.

To accomplish this a starter or cranking motor is used.

System Components

The starting system consists of the following components:

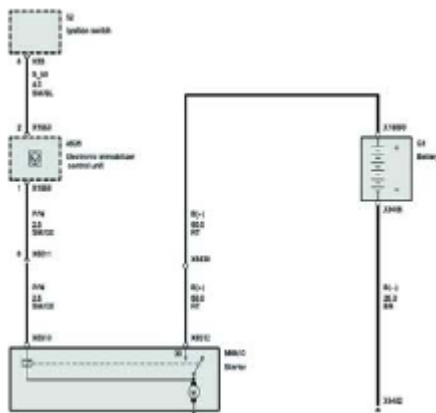


Fig. 1: Starting System Components**Courtesy of BMW OF NORTH AMERICA, INC.**

- Battery
- Ignition Switch
- Starter Motor Assembly
- EWS (if equipped)
- Starter Safety Switch
- Cables and Wiring Harness

Battery

The Battery is the primary EMF source in the automobile. The automotive battery is an electro-mechanical device that provides the potential difference (voltage). The battery does not store electrical energy. It stores chemical energy that is converted to electrical energy as it discharges.

All energy for starting the car is drawn from the battery. State-of-charge, and capacity of the battery are important factors in the ability of the engine to start, especially in cold and harsh conditions.

Ignition Switch

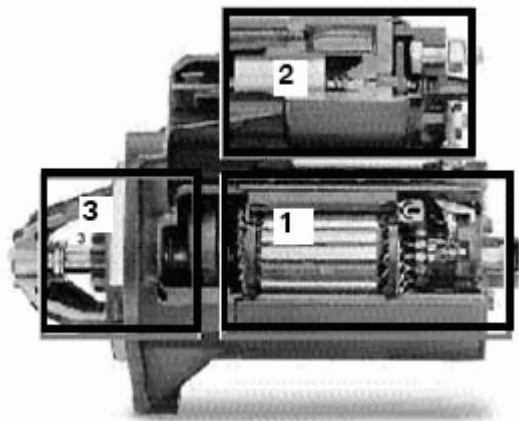
The Ignition Switch provides a request to the EWS module to begin the starting sequence. The switch provides power to the EWS module only while the switch is held forward in the start position. When released, the switch springs back to the KL15 position.

Starter Motor Assembly

The Starter Motor Assembly is a DC motor which uses the interaction of magnetic fields to convert electrical energy into mechanical energy.

The starter motor assembly consists of:

- Electric Starter Motor
- Solenoid
- Pinion Engaging Drive



Starter Motor Assembly

- 1. Electric Starter Motor
- 2. Solenoid Switch
- 3. Pinion Engaging Drive

Fig. 2: Starter Motor Assembly Components
Courtesy of BMW OF NORTH AMERICA, INC.

Electric Starter Motor

The Starter Motor provides the mechanical energy to rotate the engine through a direct or a gear reduction drive.

The major components of the starter motor are:

- Armature Shaft (1)
- Armature Winding (2)
- Armature Stack (3)
- Commutator (4)
- Poles Shoes (5)
- Field Coil (6)
- Carbon Brushes (7)
- Brush Holder (8)

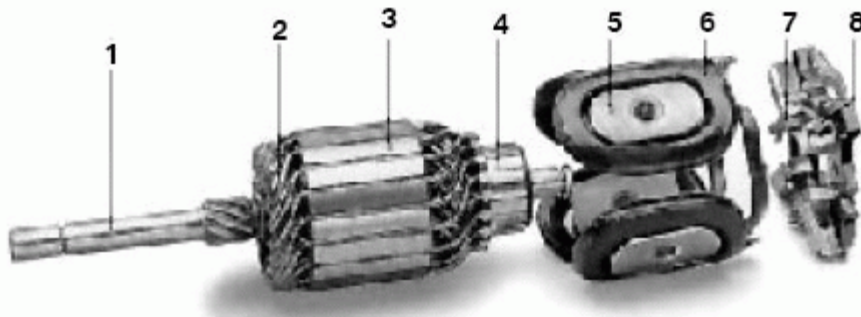


Fig. 3: Electric Starter Motor Components
Courtesy of BMW OF NORTH AMERICA, INC.

Armature

The Armature assembly is comprised of the armature shaft, armature winding, armature stack and commutator. Thin iron stampings are laminated together to form the stack or core. The slots on the outside of the laminations hold the armature windings. The windings loop around the core and are connected to the commutator. Each commutator segment is insulated from the adjacent segments. The commutator may have up to 30 segments. A steel shaft is insert in the center hole of the laminations with the commutator insulated from the shaft.

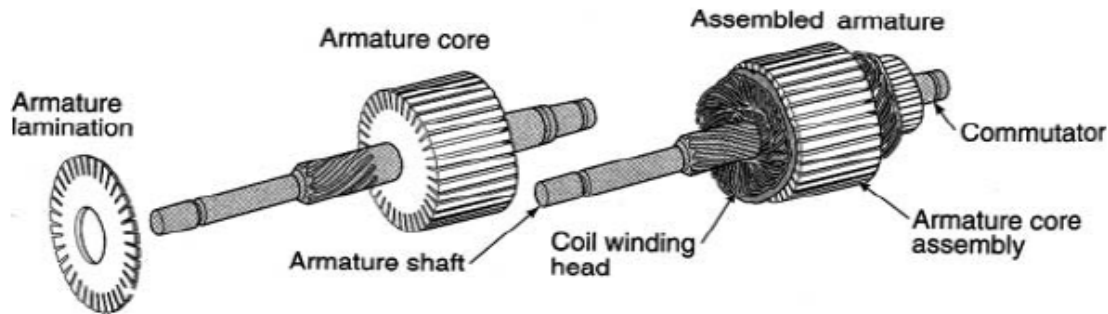


Fig. 4: Armature Assembly Components
Courtesy of BMW OF NORTH AMERICA, INC.

Field Coils

There are two types of field coils:

- Electromagnetic
- Permanent magnet

Electromagnetic

Wire ribbons or coils wrapped around a pole shoe, attached to the inside of the starter housing. The iron pole shoes and the iron starter housing work together to increase and concentrate the strength of the field coils. When current flows through the field coils strong electromagnetic fields with North and South poles are created.

Permanent

Multiple permanent magnets manufactured from an alloy of boron, neodymium and iron are positioned in the starter housing. Use of permanent magnets allow for the elimination of the field circuit and windings and realize a 50% weight savings.

Brushes

Brushes are electrically conductive sliding contacts, usually made of copper and carbon.

The brushes make contact with the commutator and as the starter begins to rotate the brushes reverse the flow of current to the armature. Starter brushes carry the full flow of current through the motor.

Solenoid

The Solenoid assembly is an integral part of the starter and is actually a combined relay and engagement

solenoid.

The solenoid has two functions:

- Pushing the pinion forward so that it engages in the ring gear of the engine.
- Closing the moving contact, providing the main current path for the starter.

The solenoid has two windings.

- Pull-in winding
- Holding-in winding

Both windings are used to draw in the plunger and engage the pinion, only the hold-in winding is used to hold the plunger in position.



Fig. 5: Solenoid Assembly Components
Courtesy of BMW OF NORTH AMERICA, INC.

Pinion Engaging Drive

The starter's end shield assembly contains the Pinion Engaging Drive with pinion, overrunning clutch, engagement lever and spring. The drive mechanism is responsible for coordinating the thrust motion of the solenoid switch and the rotary motion of the electric starter motor and transferring them to the pinion.

The starter engages the ring gear on the flywheel by means of the pinion. A high conversion ratio of pinion teeth to flywheel teeth (between 10:1 and 15:1) make it possible to overcome the high cranking resistance of the engine using a relatively small but high speed starter motor.

As soon as the engine starts and accelerates past cranking speed, the pinion must automatically "de-mesh" in order to protect the starter. For this reason, the starter incorporates an overrunning clutch.

Starter Drive - Conventional

In a Conventional Drive starter the pinion gear is located directly on the armature shaft.

The pinion and overrunning clutch form the driver assembly.

The driver assembly rides on a helical spline on the armature shaft so that when the driver is thrust by the solenoid, a combined axial and rotary motion occurs which greatly facilitates the meshing of the pinion.

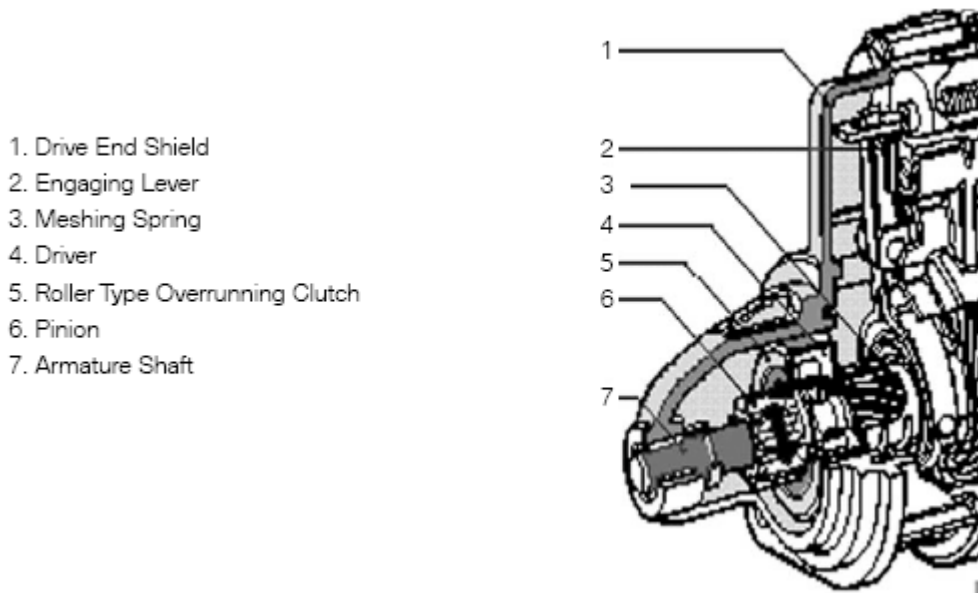


Fig. 6: Starter Drive - Conventional Components
Courtesy of BMW OF NORTH AMERICA, INC.

Starter Drive - Gear Reduction

In their design and function, Gear Reduction Drives are much the same as conventional drive starters. The main difference in the gear reduction drive starter is a planetary gear set added between the field frame and the drive end shield. This design allows for the use of smaller and lighter starters.

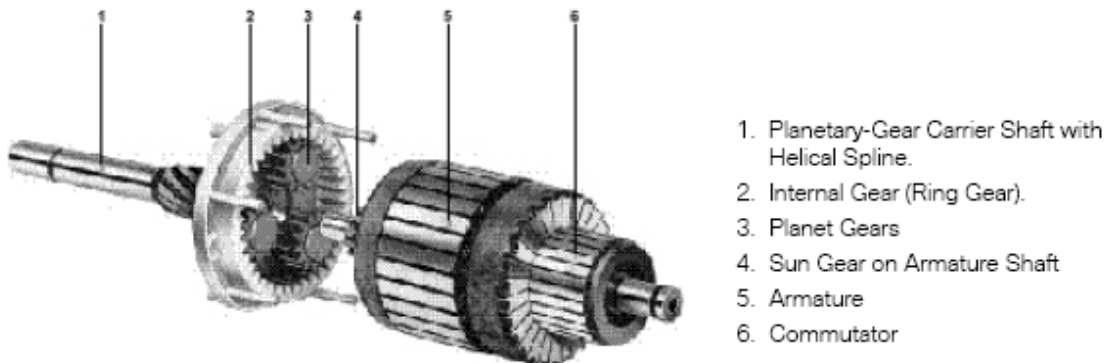
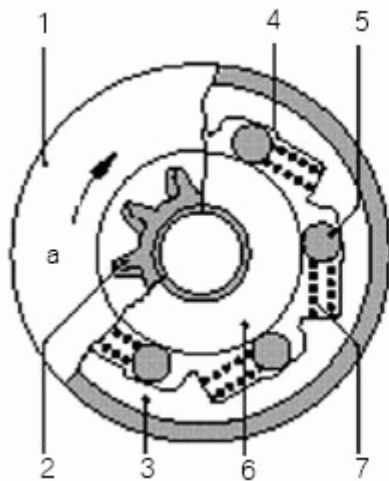


Fig. 7: Starter Drive - Gear Reduction Components
Courtesy of BMW OF NORTH AMERICA, INC.

Overrunning Clutch

In all starter designs the rotary motion is transmitted via an Overrunning Clutch. The overrunning clutch allows the pinion to be driven by the armature shaft (or planetary gear set), however it breaks the connection between the pinion and the armature shaft as soon as the accelerating engine spins the pinion faster than the starter.

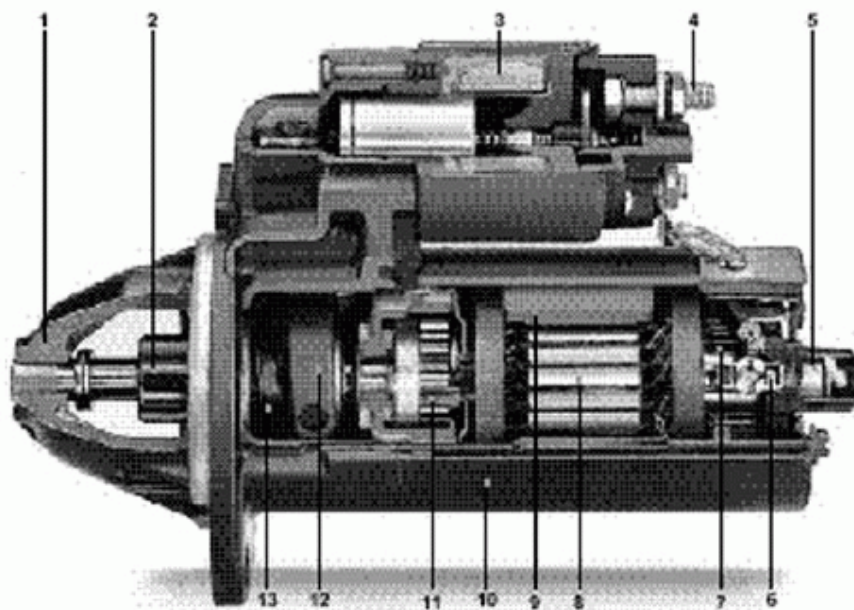
The overrunning clutch is located between the starter motor and the pinion and prevents the starter motor armature from being accelerated to an excessive speed when the engine starts.



Overrunning Clutch

1. Clutch Cover
 2. Pinion
 3. Driver with Clutch Shell
 4. Roller Race
 5. Roller
 6. Pinion Shaft
 7. Coil Spring
- a. Direction of Rotation for Clutch Locking Action

Fig. 8: Overrunning Clutch Components
Courtesy of BMW OF NORTH AMERICA, INC.



Fully assembled permanent magnet gear reduction starter

- | | | | |
|----------------------|------------------------------------|---------------------|---------------------------|
| 1. Drive End Shield. | 5. Commutator End Shield | 8. Armature | 12. Engaging Lever |
| 2. Pinion | 6. Brush Plate with Carbon Brushes | 9. Permanent Magnet | 13. Pinion Engaging Drive |
| 3. Solenoid Switch | 7. Commutator | 10. Field Frame | |
| 4. Terminal | | 11. Planetary Gear | |

Fig. 9: Magnet Gear Reduction Starter Components

Courtesy of BMW OF NORTH AMERICA, INC.

EWS

The EWS system(s) is designed to provide electronic anti-theft protection for the vehicle through the use of coded keys and coded data communication between the EWS and the engine control module. The starter and engine control module are locked out until a properly coded key is recognized and the proper code is established between the EWS and the engine control modules.

Because the starter relay is housed inside and controlled by the EWS control unit, the starter will not activate unless the EWS sees all inputs (keys, range selector switch, etc.) as correct.

Starter Safety Switch

The Starter Safety Switch is part of the transmission range switch on automatic transmission vehicles and a clutch switch on manual transmission vehicles.

The purpose of the switch is to prevent engine start-up with the vehicle in gear or the clutch not depressed. On vehicles with EWS, this signal is sent directly to the EWS module for processing.

Cable and Wiring Harness

Cables to the starter from the battery must carry large amounts of current. The wiring harness from the ignition

switch and/or EWS carry little current as they are control signals to a relay or starter solenoid. Minimum voltage drop in starter cables is necessary to ensure sufficient starter speed and torque.

Starting System Principle of Operation

Electric Starter Motor

The Electric Starter Motor converts electrical current into rotary motion. In doing so it converts electrical energy into mechanical energy. The interaction of two magnetic fields produce this rotational force.

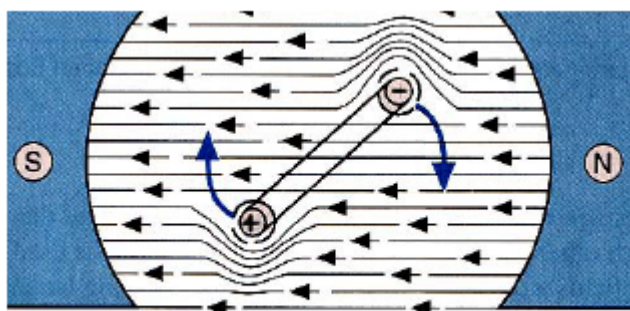
The field coils (either electromagnetic or permanent) located in the housing produce magnetic flux lines. Within the stationary field coils is the armature, a loop of wire (a conductor) with one end connected to B+, the other to B-. When current is applied to the armature flux lines circle the loop in one direction on one side and in the opposite direction on the other side. The interaction of the flux lines on the armature and the flux lines from the field coil cause the armature to rotate.

The armature will only rotate to the point where the magnetic force is equal on both sides. (Armature 90° to magnetic flux lines of field)

For the armature to continue to rotate, the polarity or direction of current flow must be reversed.

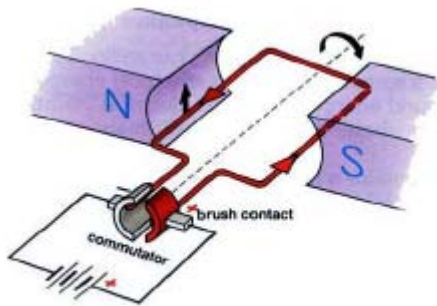
Through the brushes and the commutator, the current flow is reversed as the magnetic forces become equal, causing the armature to continue to rotate.

This constant reversal of current flow in the armature provides continual rotation.



Loop is being force out of magnetic field

Fig. 10: Loop Being Force Out Of Magnetic Field (1 Of 2)
Courtesy of BMW OF NORTH AMERICA, INC.



Loop is being force out of magnetic field

Fig. 11: Loop Being Force Out Of Magnetic Field (2 Of 2)
 Courtesy of BMW OF NORTH AMERICA, INC.

Direction of rotation is determined using Flemings Left Hand Rule.

- Point your First finger in the direction of the magnetic Field (from N to S).
- Rotate your hand about that finger until your second finger points in the direction of the Current (conventional current, from + to -).
- Then your thumb points in the direction of the Movement of the wire.

Flemings left hand rule

The basic law of motors, the direction of force on a wire that is carrying current when it is in a magnetic field.

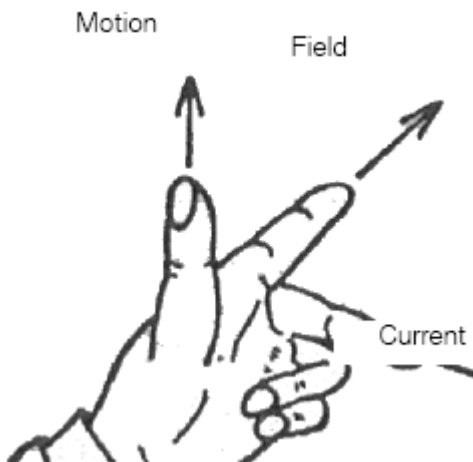


Fig. 12: Flemings Left Hand Rule
 Courtesy of BMW OF NORTH AMERICA, INC.

To increase the force on the wire (armature) do one of the following:

- Use a larger current.
- Use a stronger magnetic field.

- Use a greater length of wire in the field.

To increase torque and speed in the starter motor, more windings in the armature are added, and the field has more pairs of magnets (either permanent or electromagnetic).

Torque and speed of the starter motor is dependent on the wiring of the field coils. (electromagnetic coils)

- Shunt Wound
- Series Wound
- Compound

Shunt Wound Motors

In Shunt Wound Motors, the field coil is connected in parallel with the armature. The shunt motor does not decrease its torque as speed increases. Shunt motors do not produce high torque.

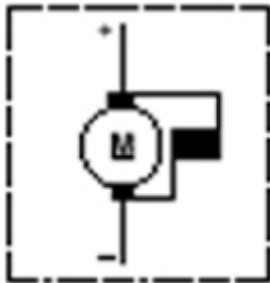


Fig. 13: Shunt Wound Motors Circuit
Courtesy of BMW OF NORTH AMERICA, INC.

Series Wound Motors

In Series Wound Motors, the field coil is in series with the armature.

The current flows to the field windings, then to the brushes, commutator, and armature back again to the ground side brush. A series wound motor will develop maximum torque output at the time of initial start, then as motor speed increases, torque falls off rapidly due to the CEMF.

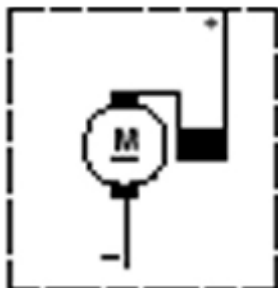
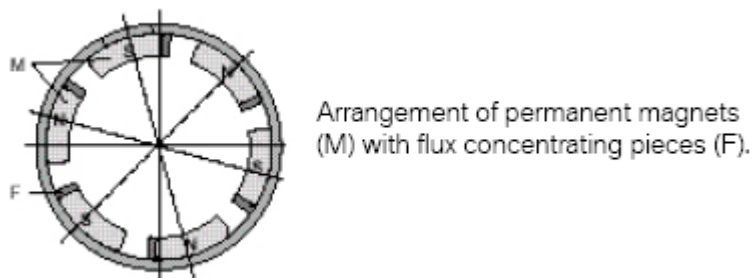


Fig. 14: Series Wound Motors Circuit

Courtesy of BMW OF NORTH AMERICA, INC.

Permanent Magnet Motors

Permanent Magnet Motors eliminate all wiring to the field coils. The magnetic field is generated by the permanent magnet without the need for winding and pole shoes. The magnets use flux-concentrating pieces to direct the magnetic field.



Arrangement of permanent magnets (M) with flux concentrating pieces (F).

Fig. 15: Arrangement Of Permanent Magnets With Flux Concentrating Pieces

Courtesy of BMW OF NORTH AMERICA, INC.

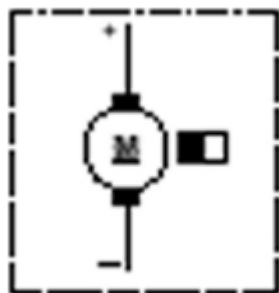


Fig. 16: Compound Wound Motor Circuit

Courtesy of BMW OF NORTH AMERICA, INC.

Compound Wound Motors

Compound Wound Motors have some of the field coils wired in series to the armature and some in parallel. This configuration allows the compound motor to develop good starting torque and constant operating speed.

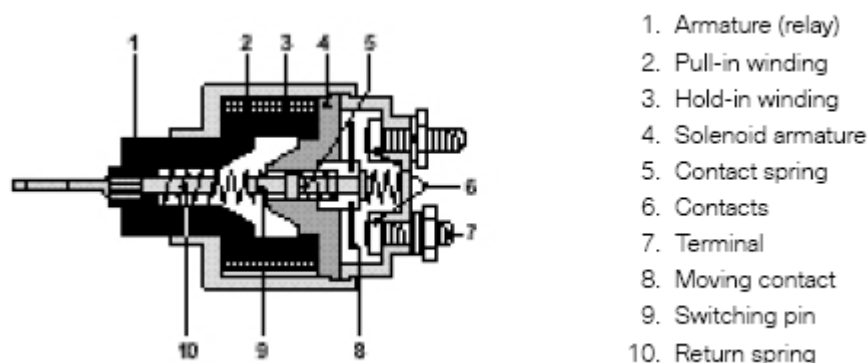
NOTE: **CEMF - Counter Electromotive Force**
The voltage produced in the starter motor itself through electromagnetic induction. This voltage acts against the supply voltage from the battery. Motors must be designed to control the CEMF for optimum operation.

Solenoid

The Solenoid performs the following functions:

- Pull the pinion to engage the flywheel

- Hold the pinion engaged with the flywheel during starting rotation.
- Complete the electrical circuit from the battery to the brushes of the starter.
- Cause the pinion to retract from the flywheel.



1. Armature (relay)
2. Pull-in winding
3. Hold-in winding
4. Solenoid armature
5. Contact spring
6. Contacts
7. Terminal
8. Moving contact
9. Switching pin
10. Return spring

Fig. 17: Identifying Solenoid Switch Assembly Components
 Courtesy of BMW OF NORTH AMERICA, INC.

Two windings are used to pull and hold the pinion engaged to the flywheel.

Pull-In Winding

The stronger of the two windings, used to pull the pinion into engagement.

This winding is released when the starter circuit is completed.

Hold-In Winding

Used to help the pull-in winding move the pinion initially, then holds the pinion engaged to the flywheel.

Signal 50 is received at the solenoid, energizing both windings. The windings cause the armature to be drawn into the coils, pressing on a spring, causing the moving contacts to close. The pull-in winding is released, the starter begins to turn. When signal 50 is released, the power is lost to the hold-in winding, spring pressure forces the armature out of the coil, the moving contacts are opened and the pinion returns to the rest position.

NOTE: **Battery voltage is critical.**
The combination of the pull-in winding and the hold-in winding may have sufficient power to engage the pinion. When the moving contacts are completed and the increased load of the starter motor is added to the system, low voltage will cause the hold-in winding to release the pinion. If signal 50 is still present the pull-in winding will again assist in pulling the pinion into engagement and the cycle starts over again. This gives the "clicking" noise from the starter.

Pinion Drive

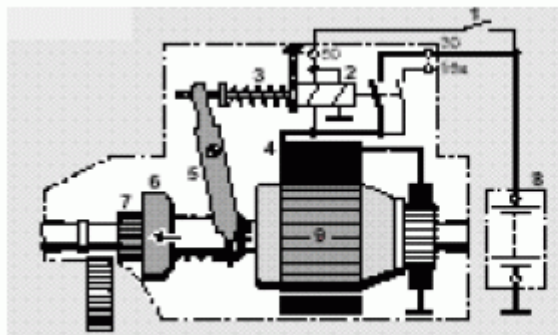
The Pinion Drive gear is attached to the roller-type overrunning clutch which is splined via a helical shaft to the

starter armature. At rest the spring pressure in the overrunning clutch wedge rollers between the pinion shaft and the clutch hub race. This locks the pinion to the clutch. During start-up the clutch and pinion rotate as one.

As the engine speed exceeds starter speed, the pinion pushes the rollers, against the spring pressure, into a wider area. This movement of the rollers allow the pinion to turn independently of the starter armature, not causing the armature to over-rev.

When the solenoid windings are released the clutch assembly is pulled away from the flywheel through spring pressure.

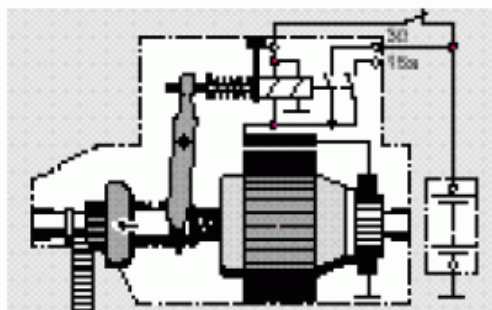
Phases of Starter Operation



1. Start Request Signal (KL50)
2. Solenoid Switch
3. Return Spring
4. Field Windings
5. Engaging Lever
6. Overrunning Clutch
7. Pinion
8. Battery
9. Armature

Starter At Rest No Current Supplied

Fig. 18: Phases Of Starter Operation - Starter At Rest No Current Supplied
 Courtesy of BMW OF NORTH AMERICA, INC.



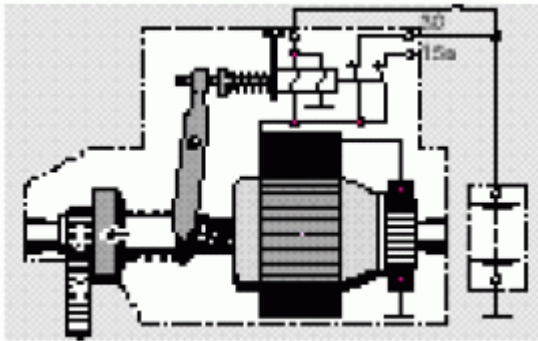
Pull-in and hold-in winding energized.
 Pinion tooth meets gap in ring gear and meshes.

Starter Position Just Before Main Current Is Switched On

Fig. 19: Phases Of Starter Operation - Starter Position Just Before Main Current Is Switched On
 Courtesy of BMW OF NORTH AMERICA, INC.

2006 MINI Cooper S

2002-07 GENINFO Starting - Overview - MINI



Engine Is Cranked

Engaging lever in end position.
Pull-in winding released.
Pinion meshed.
Main current flows.
Engine is rotated.

Fig. 20: Phases Of Starter Operation - Engine Is Cranked
Courtesy of BMW OF NORTH AMERICA, INC.